

**Speaker**

**Model: OSS02-36-3A0.1W50-P**



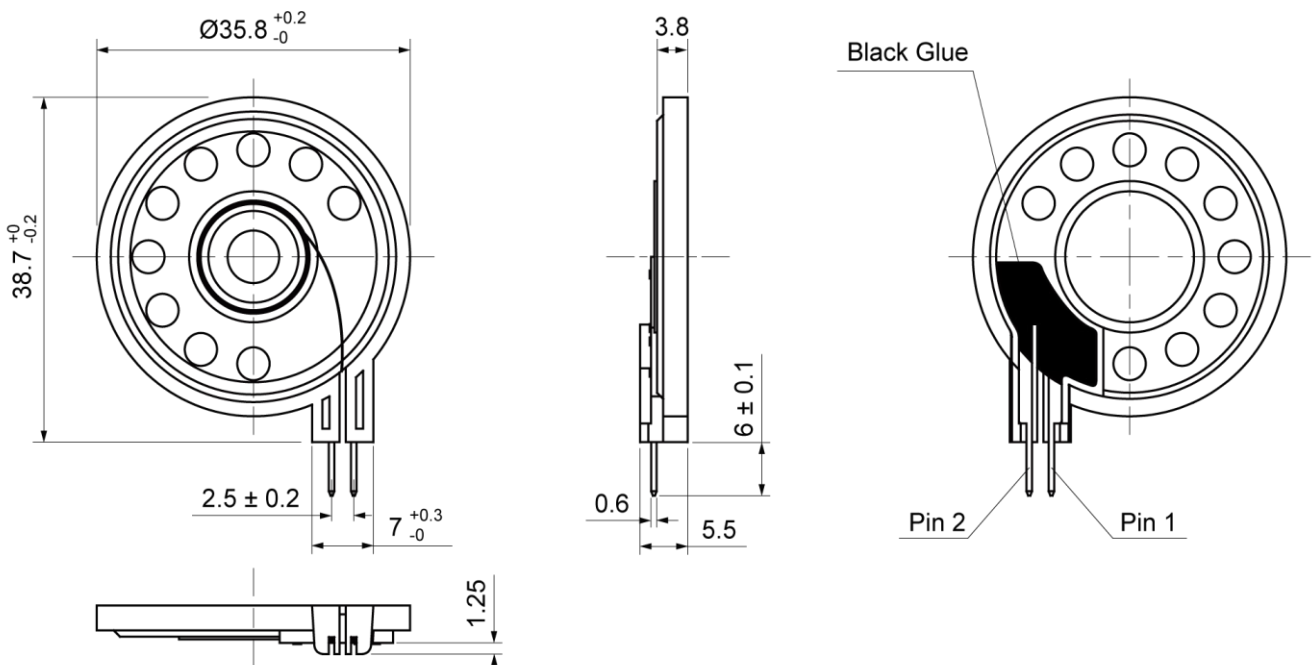
**ELECTRICAL SPECIFICATIONS**

	Condition	Parameter	Unit
Sound Pressure Level	at 0.1W, 0.1M [at 0.5, 0.6, 0.8, 1.0KHz]	95 ± 3	dB
Impedance	at 1V, 1000Hz	50 ± 15%	Ω
Rated Input Power		0.1	W
Max Input Power		0.2	W
Resonant Frequency (Fo)	at 1V	500 ± 20%	Hz
Frequency Range		250 ~ 6700	Hz
Buzzer & Rattles	not be audible at sine wave between 250 ~ 6.7KHz	2.23	V
Operating Temperature		-30 ~ 75	°C
Magnet		Nd-Fe-B	
Frame Material		PBT	
Cone Material		Mylar (PEI)	
Weight		6.6	g

**MECHANICAL DRAWING**

Dimensions in mm

Tolerance ±0.5mm Except Specified



**Speaker**

**Model: OSS02-36-3A0.1W50-P**

**FREQUENCY RESPONSE CURVE**

